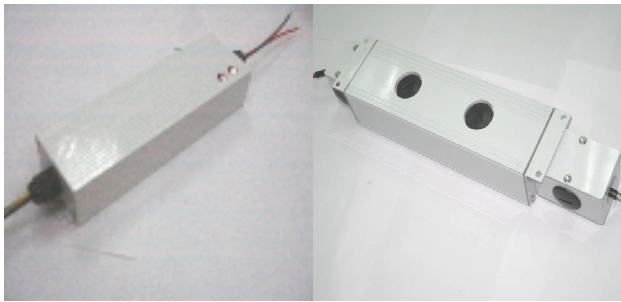


# ANP90-XXP &XXPY

Class II Single LED Power Supply



## Features and Applications:

- One Single Class II DC Output
- Highly Efficient Switching-Mode Technology
- Active PFC (Power Factor Corrected)
- Built for Outdoor Wet/Damp or Indoor Dry Applications
- Silicone Encapsulated for Wet Locations(Use Water-Tight Fittings)
- Built-in EMI Filter for Low Noise
- Rugged & Splash proof Aluminum Case for Ingress Protection
- Over-Current and Over-Voltage Protection with Auto-Recovery
- Output Voltage and Output Current Adjustable

All specifications are typical at nominal input, full load, at 25 °C unless otherwise stated.

## Electrical Specs

### INPUT

Input Voltage Range	90 - 264Vac
Rating Input Voltage Range	100-240Vac
Frequency	47 - 63Hz
Input Current	max. 1.4A @ 115Vac / 60Hz, with full load
Inrush Current	60A typical @230Vac/50Hz, with full load
Efficiency	85% typical @full load, 230Vac
Power Factor	>=0.95 at full load 115Vac


### OUTPUT

Leakage Current	0.2mA @110Vac, 0.4mA @230Vac
Output Current Adjust Range	+0/-70% max.
Output Voltage Adjustment Range	-20% ~ +10%
Short circuit protection	shutdown and auto recovery
Ripple And Noise	<1% of v output
Over Temperature Protection	85°C±5°C ambient temperature at full load
Over Voltage Protection	< 130% nominal voltage
Start-up Time	< 2 Sec



## General

Isolation Voltage	3000V AC
Switching Frequency	75K Hz
Weight	1.3 Kg (2.86lbs.) max.
Warranty Info	3 year
MTBF	100,000 Hours at 25° C

## Environmental

Operating Temp.	-30°C to +70°C, full load
Storage Temp.	-40°C to +85°C
Relative Humidity	5% to 95% non-condensing
Derating Temp.	+80°C at 50% load
Cooling	Convection
MTBF	100,000 Hrs at 25°C
RoHS	Compliant 

## Safety

TUV	EN60950-1, IP65 
UL	UL60950-1, UL1310(Wet) UL879: Eighth Edition, 2007
CE	

## EMC

Conducted Emissions	EN55022, FCC part 15 level B
Radiated Emissions	EN55022, FCC part 15 level B

Amperor Inc.  
11320 Neeshaw Dr.,  
Houston, TX 77065  
1-281-807-3320  
<http://www.amperor.com>

Amperor Europe Ltd.  
30 Ballot Road  
Irvine KA12 OHW Scotland U.K  
44-(0)-1294-272400

Intertek Corp, an Amperor Company  
4th, Fl, Far East World Centre  
Hsin Tai Wu Road, Hsin-Chih, Taipei, Taiwan R.O.C  
886-2-2698-2239

# ANP90-XXP&XXPY

Class II Single LED Power Supply



## Order Information

**Table1: ANP90-XXP&XXPY Model Output Specifications**

Model	Output Voltage	# of Channels	V-Adjustment On board Pot	CC- Adjustment On board Pot	OCP Trip Setting	Max. Output Power
ANP90-12P	12V	1	-20%/+10%	-70/+0%	5A	60W
ANP90-12PY	12V	1	-20%/+10%	-70/+0%	5A	60W
ANP90-15P	15V	1	-20%/+10%	-70/+0%	5A	75W
ANP90-15PY	15V	1	-20%/+10%	-70/+0%	5A	75W
ANP90-19P	19V	1	-20%/+10%	-70/+0%	4.74A	90W
ANP90-19PY	19V	1	-20%/+10%	-70/+0%	4.74A	90W
ANP90-24P	24V	1	-20%/+10%	-70/+0%	3.75A	90W
ANP90-24PY	24V	1	-20%/+10%	-70/+0%	3.75A	90W

**Note:**

1. The DC output channel will automatically shut down and auto-recover after an over-current limit (OCP) trip event.
2. The differences between ANP90-XXP & ANP90-XXPY are the chambers and the label.

**Amperor Inc.**  
11320 Neeshaw Dr.,  
Houston, TX 77065  
1-281-807-3320  
<http://www.amperor.com>

**Amperor Europe Ltd.**  
30 Ballot Road  
Irvine KA12 OHW Scotland U.K  
44-(0)-1294-272400

**Intertek Corp, an Amperor Company**  
4th, Fl, Far East World Centre  
Hsin Tai Wu Road, Hsin-Chih, Taipei, Taiwan R.O.C  
886-2-2698-2239

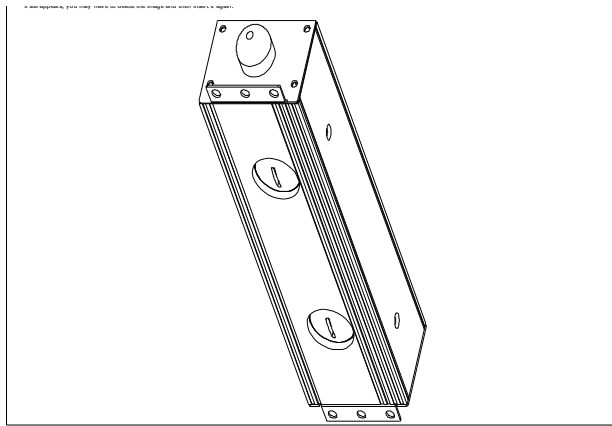
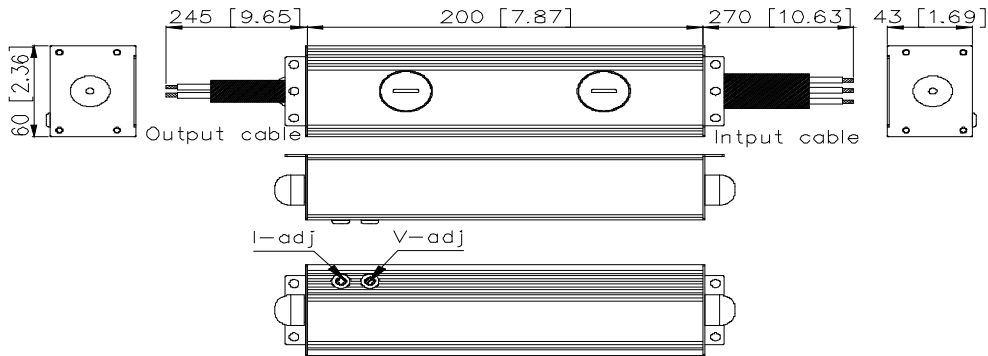
# ANP90-XXP&XXPY

Class II Single LED Power Supply



## Mechanical Information

Model: ANP90-XXP



Note: All dimensions in mm(inches)

**Amperor Inc.**  
11320 Neeshaw Dr.,  
Houston, TX 77065  
1-281-807-3320  
<http://www.amperor.com>

**Amperor Europe Ltd.**  
30 Ballot Road  
Irvine KA12 0HW Scotland U.K  
44-(0)-1294-272400

**Intertek Corp, an Amperor Company**  
4th, Fl, Far East World Centre  
Hsin Tai Wu Road, Hsin-Chih, Taipei, Taiwan R.O.C  
886-2-2698-2239

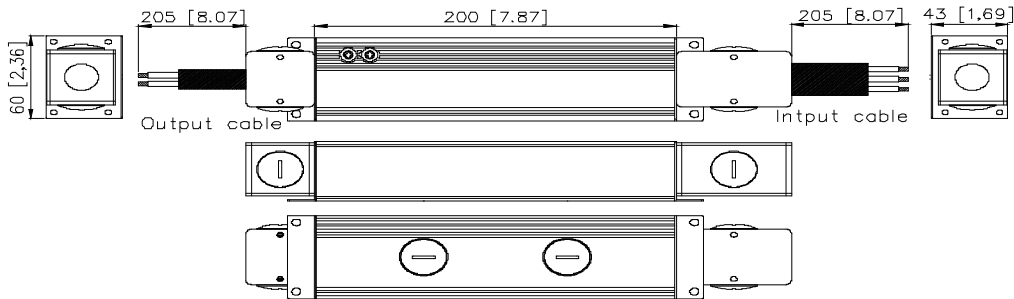
# ANP90-XXP&XXPY

Class II Single LED Power Supply



## Mechanical Information

Model: ANP90-XXPY



Note: All dimensions in mm(inches)

### Data Sheet @ Amperor, Inc. @ 2008

The information and specifications contained in this data sheet are believed to be accurate at time of publication. Specifications are subject to change without notice.